

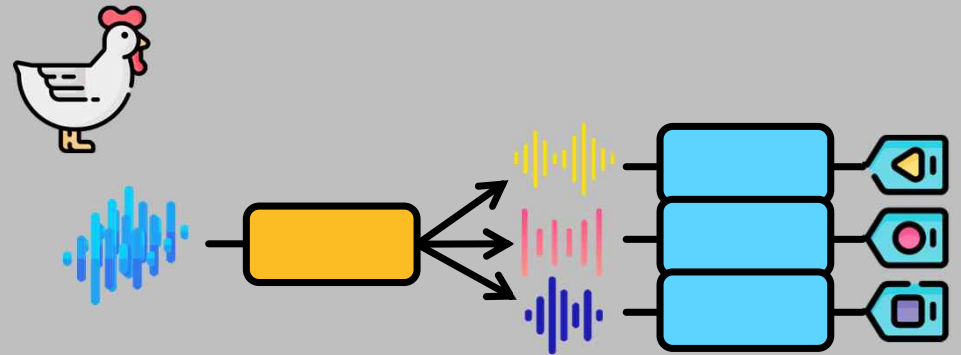
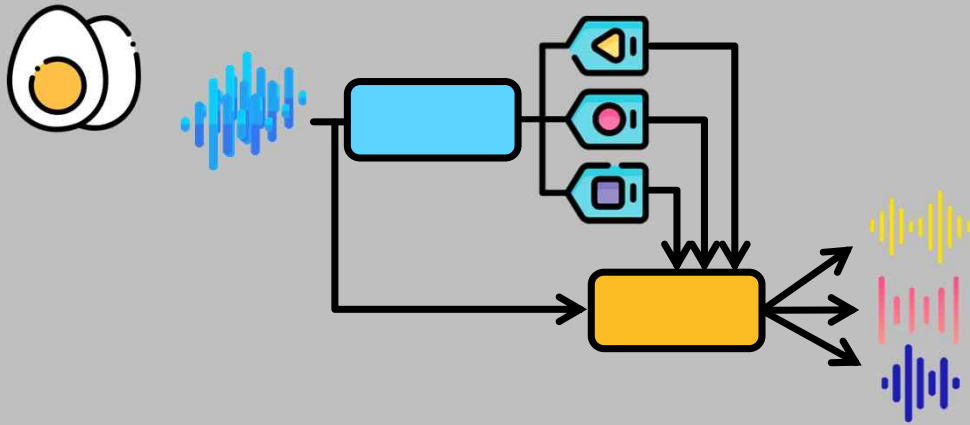
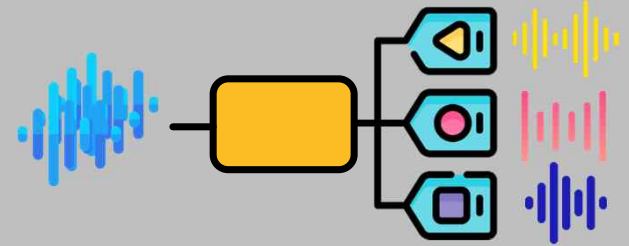
# Self-Guided Target Sound Extraction & Classification Through **Universal Sound Separation** and **Multiple Clues**



DCASE2025 CHALLENGE



Younghoo Kwon, Dongheon Lee, Dohwan Kim, Jung-Woo Choi\*

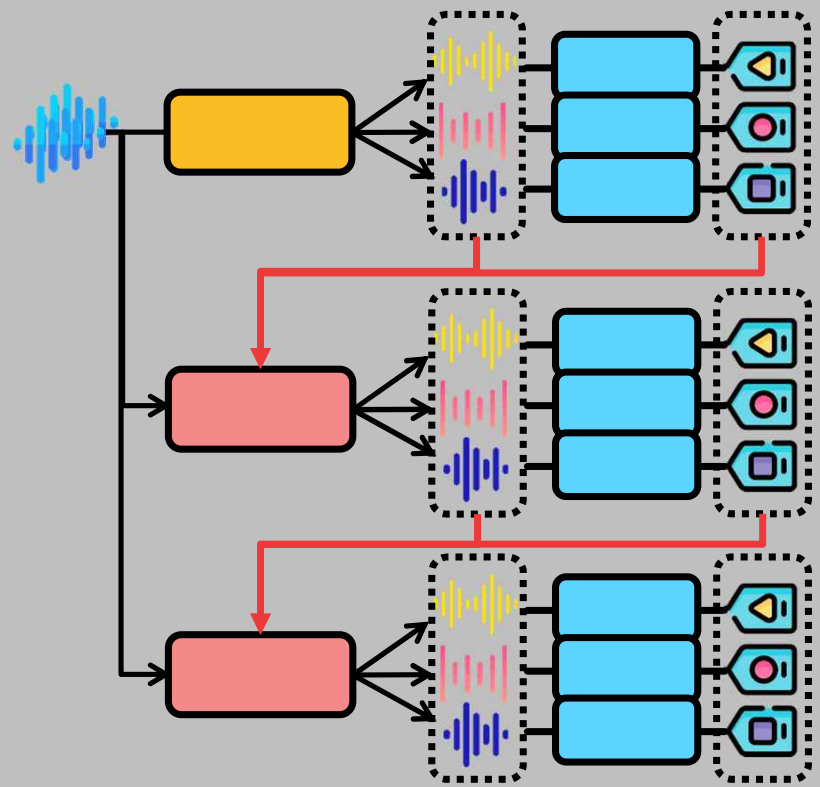
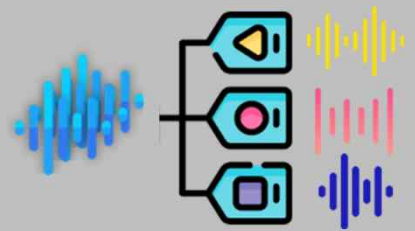
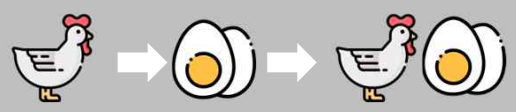




- 
- 
- 



- 
- 
- 





		Evaluation Set			
Submission Code	Technical Report	Official Team Rank	FOM CA-SDRi (eval)	Label Prediction Accuracy (eval)	
1 Choi_KAIST_task4_3		1	11.00	55.80	
2		2	9.77	61.60	

